

Reliable®

Model C Mechanical Sprinkler Alarm

Features

1. Dependable – Pelton Wheel Type.
2. Prompt – Positive Operation.
3. Nylon Bearings – No Lubrication Needed.
4. Compact – Lightweight – Easily Installed.
5. Rust-Free Cast Aluminum Gong. No Gong Cover Needed.
6. Gong Available in Red and Bright Metallic Finishes.
7. Self-Setting After Operation Eliminating Need of Removing Covers, Plates, Etc. to Reset Internal Mechanisms.



The Reliable Model C Mechanical Alarm, also called a water motor and gong, is the hydro-mechanical alarm of Reliable Wet and Dry Pipe Automatic Sprinkler Systems. Usually mounted on an outside building wall and energized by water flowing from the alarm (wet) or dry pipe valve, it automatically sounds a continuous piercing alarm when the sprinkler system operates to extinguish a fire.

Approvals

1. Listed by Underwriters Laboratories, Inc. (UL).
2. Listed by Underwriters Laboratories of Canada (ULC).
3. Approved by Factory Mutual Research Corporation, (FM).
4. Verband der Schandenversicherer eV. (VdS).
5. Loss Prevention Council (LPC).
6. NYC BS & A No. 587-75-SA.

Operation

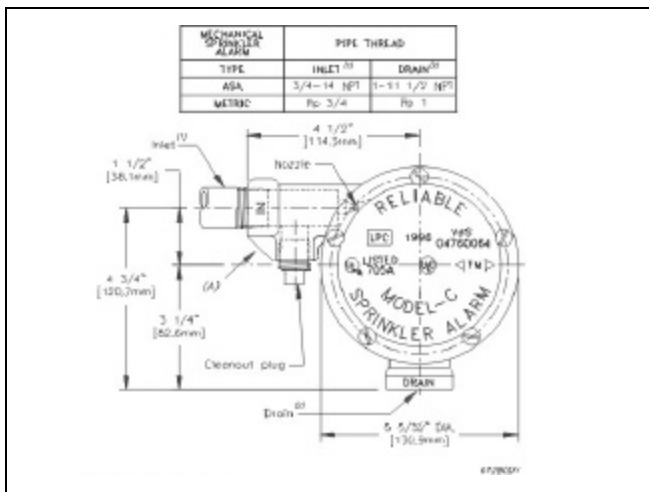
When an alarm (wet) or dry pipe valve is operated by the fusing of one or more automatic sprinklers due to fire, water flows through the 3/4 inch strainer, and 3/4 inch piping that connects the mechanical sprinkler alarm to the alarm or dry pipe valve. On entering the mechanical sprinkler alarm inlet, the water passes through the nozzle and impinges against the pelton wheel blades causing the pelton wheel to rotate. The striker assembly connected to the pelton wheel by the drive shaft also rotates causing the striker to impact against the gong producing a continuous piercing alarm. The water, after impinging against the pelton wheel, drains off through the 1-inch drain outlet in the body housing.

The alarm continues to sound as long as water is flowing through the sprinkler system. It may be shut off by closing the alarm control valve located in the piping line connecting the mechanical sprinkler alarm with the alarm (wet) or dry pipe valve.

Reliable Model C Mechanical Sprinkler Alarm is self setting after each operation, eliminating the need of removing cover plates, etc. to reset internal mechanisms.

Installation

The Reliable Model C Mechanical Sprinkler Alarm is easily installed. As illustrated in the figure below, a 3/4" (19mm) support pipe of appropriate length runs through the wall supporting the pelton wheel body on the inside wall surface and the gong assembly on the exterior wall surface. The entire assembly can be secured and aligned by simply screwing the body onto the support pipe, compressing the wall support washer.

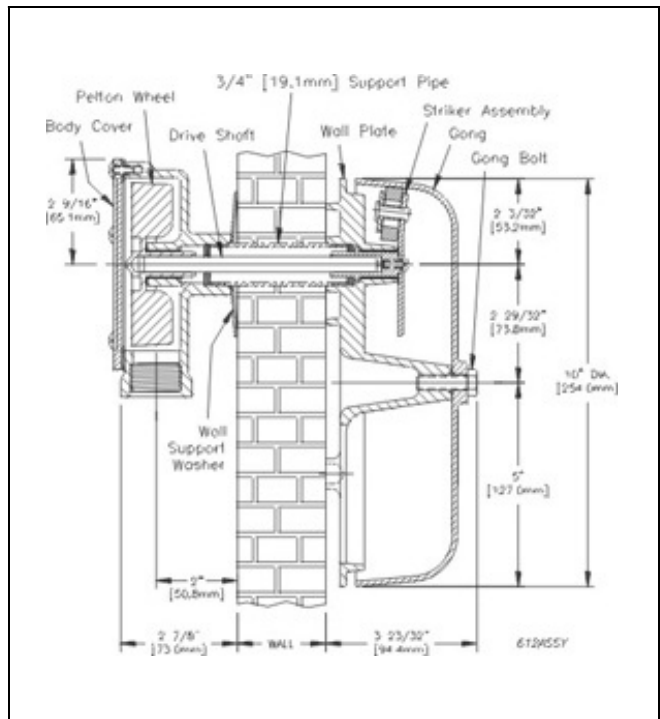


The drive shaft is furnished in a standard length of 18" for a 14" (355mm) wall. Longer shafts for thicker walls are furnished on request. The drive shaft can be installed by removing the body cover and pelton wheel from the body.

The gong has a raised boss at its center so that identification nameplates can be retained by the 3/8" gong bolt. A standard fire alarm identification sign for attachment below sprinkler alarm gongs can be supplied by Reliable.

The Mechanical Sprinkler Alarm shall be located as near to the alarm (wet) or dry pipe valve as practicable to avoid long runs or many fittings in the piping that connects to such devices. Galvanized or brass pipe of a size not less than 3/4" (19mm) is to be used. The 3/4" (19mm) Strainer, provided with the Mechanical Sprinkler Alarm, must be installed at the alarm outlet of the water flow detecting device. When a retarding chamber is used in connection with an alarm valve, the strainer shall be located at the outlet of the retarding chamber.

The 1-inch drain outlet should discharge into an open drain. For installation instructions, refer to the separate bulletins, "Instructions for Installation, Operation, Care and Maintenance" for Reliable Mechanical Sprinkler Alarms, Alarm (Wet) Valves and Dry Pipe Valves.



The equipment presented in this bulletin is to be installed in accordance with the latest published Standards of the National Fire Protection Association, Factory Mutual Research Corporation, or other similar organizations and also with the provisions of governmental codes or ordinances whenever applicable.

Products manufactured and distributed by Reliable have been protecting life and property for over 80 years, and are installed and serviced by the most highly qualified and reputable sprinkler contractors located throughout the United States, Canada and foreign countries.

Manufactured by

Reliable[®]

The Reliable Automatic Sprinkler Co., Inc.

(800) 431-1588

(800) 848-6051

(914) 668-3470

www.reliablesprinkler.com

Sales Offices

Sales Fax

Corporate Offices

Internet Address



Recycled Paper

Revision lines indicate updated or new data.

E.G.. Printed in U.S.A 08/01 P/N 9999970059