



anything, anytime.

# ברז דיגום פלב"מ דגם סקופ

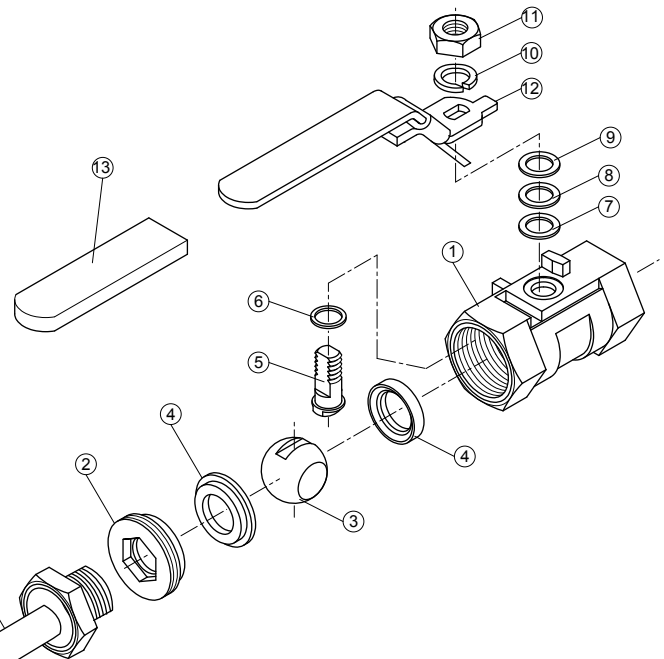
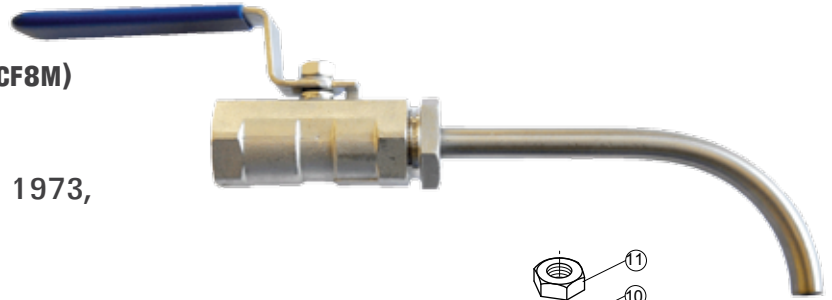
לפי דרישות משד הבריאות וחברת מקורות  
דף נתונים טכניים

## STAINLESS STEEL

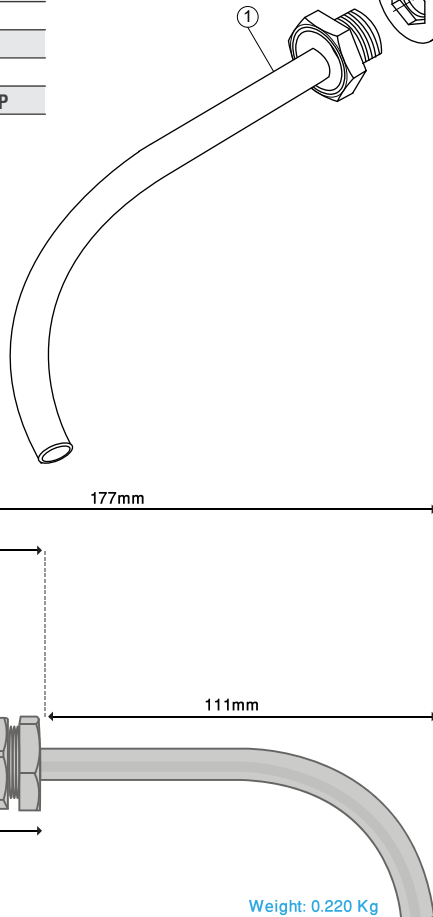
**AISI-316 (EN10213-4 1.4408) (ASTM-A351-CF8M)**

### FEATURES:

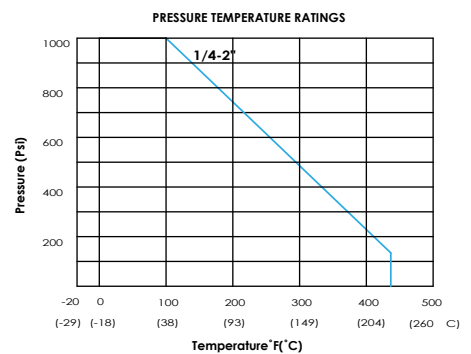
- Pipe thread in accordance with ANSI B2.1, BS 21 1973, DIN 259/2999,ISO 228
- Blow-out proof stem/Reduce bore
- Investment casting body and inscrewed
- 1000 PSI (69 BAR) W.O.G.



NO	NAME OF PARTS	MATERIALS
1	BODY + NOZZLE	316
2	INSERT	316
3	BALL	316
4	SEAT	PTFE
5	STEM	316
6	THRUST WASHER	PTFE
7	STEM PASHER	PTFE
8	GLAKND WASHER	304
9	GLAKND WASHER	304
10	SPRING WASHER	304
11	NUT	304
12	HANDLE	304
13	HANDLE SLEEVE	VINYL GRIP



Weight: 0.220 Kg



For more information please contact us: [sfv@scope.co.il](mailto:sfv@scope.co.il)  
[WWW.SCOPE-METAL.COM](http://WWW.SCOPE-METAL.COM)